

PLATE 63-1

TYPE A-63 OVER-THE-TOP ROLL FEED HOPPER

Model Number and Machine Serial Number must be specified on all Parts Orders

Cat. No.	Casting No.	ITEM
19		1" Rubber mounted ball bearing-pillow block & collar
130-A		Feed roll, combination peg & fin
133		Clean-out gate (#151 hinges & #157 brackets included)
134		Clean-out gate pivot rod, 5/8" dia.; specify length
135		Clean-out gate threaded control rod.
136		Clean-out gate control rod bracket; specify width & length
137		Control rod collar, 1/2" bore (#137A pin & set screws included)
137-A		Control rod collar pin
137-B		Control rod spring
137-C		Control rod spring retainer washer
138	F-669	Lever with swivel nut attached (Set screws included)
139		Clutch jaw floating collar 1" bore
140		Collar, 1" bore (Set screw included)
144-A	H-78	Clutch sleeve
144-B	H-79	Clutch jaw
145		Clutch key 1/4" Sq. x 1 1/2" Lg.
146		Hopper legs
147-A		Clutch Sheave
147-B		Clutch Sprocket
147-C		Hopper drive chain
148	H-82	Clutch lever
149		Clean-out gate stop

Cat. No.	Casting No.	ITEM
151		Clean-out gate hinge (Not shown)
152		Clean-out gate pivot ass'y(Incl. parts #153,154,155,155A,156)
153	F-622	Slotted lever for clean-out gate (Set screws included)
154		Clean-out gate link rod (#155A pins included)
155		Link rod spring $\frac{3}{4}$ " O.D. x $3\frac{1}{2}$ " Lg.
155-A		Link Rod pin
156		Washer, spring retainer
157	G-139	Clean-out gate bracket
158		Link rod bolt $3/8$ "- $16 \times 1\frac{1}{2}$ " machine bolt
190	F-669	Hand crank $\frac{1}{2}$ " bore(#137A pin, set screw & knob included)
190-A		Hand crank wood knob
235		Collar $5/8$ " bore (Set screw included)
237	B-39	Flange bearing $5/8$ " bore
342		Center crossboard
342-A		Cover board
342-B		Bottom board , covered with sheet metal
342-C		Front board (Upper section)
342-D		Front board (Lower section)
342-E		Front board hinge
342-F		Hopper end panels
343		Gate; above feed roll
345		Guide for #343 gate (Bolts included)
346		Cover for #343 gate (Screws included)
348		Hopper drive Ve-belt
358		1" Ball bearing and collar
358-A		Flanges for (#358 bearing)
365		Hopper feed roll shaft
380		Tailgate bracket, plain
382	F-681	Tailgate bracket with swivel bolt
501	M-49	Lever with swivel nut attached, 1" dia.hole(Set screws included)
502	M-49	Linkage lever, 1" dia. hole (Set screws included)
503	CTR-6	Linkage rod end bearings
504		Linkage rod (Jam nuts included)
505		Upper linkage bolt $3/8$ "- $16 \times 1\frac{1}{4}$ " machine bolt(Nut & washers incl.)
506		Lower linkage bolt $3/8$ "- 16 Machine bolt (Lock washer included)
507		Linkage spacer bushing
508		Slot cover
509		Slot cover guide
510		Threaded control rod for #343 gate(#190 hand crank attached)
511		Control rod bracket for #343 gate
512		Pivot shaft for #343 gate
513		Feed roll brake bracket
514		Feed roll brake wood block (Bolt included)
515		Feed roll brake spring
516		Feed roll brake washer
517		Feed roll brake spacer bushing

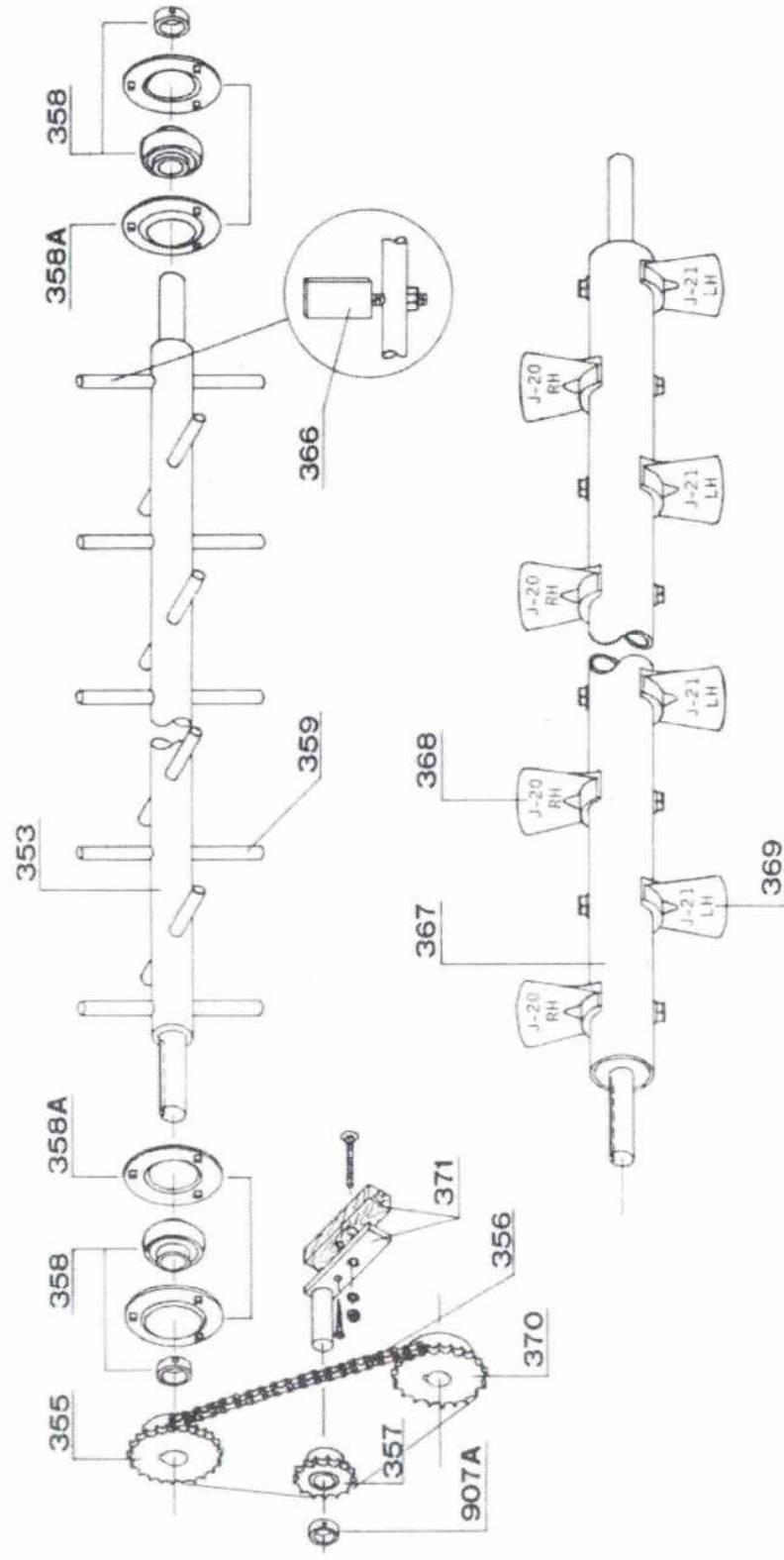


PLATE 63-2

AGITATORS FOR ROLL FEED HOPPERS

Model Number and Machine Serial Number must be specified on all Parts Orders

CAT. NO.	ITEM
353	Agitator with studs
355	Driven SPROCKET on agitator, number of teeth <u>Must</u> be specified
356	Drive CHAIN, quantity of links <u>Must</u> be specified
357	Idler SPROCKET
358	1" Ball BEARING and collar
358A	FLANGES for No. 358 bearing
359	STUD for agitator shaft
366	Adjustable pitch PADDLE for agitator shaft
367	Agitator with stationary pitch paddles
368	Agitator PADDLE, casting No. J-20 right hand
369	Agitator PADDLE, casting No. J-21 left hand
370	Driver SPROCKET, for agitator, number of teeth <u>Must</u> be specified
371	Idler BRACKET with stud, wood block, holt and screw
907A	Collar, $\frac{3}{4}$ " bore

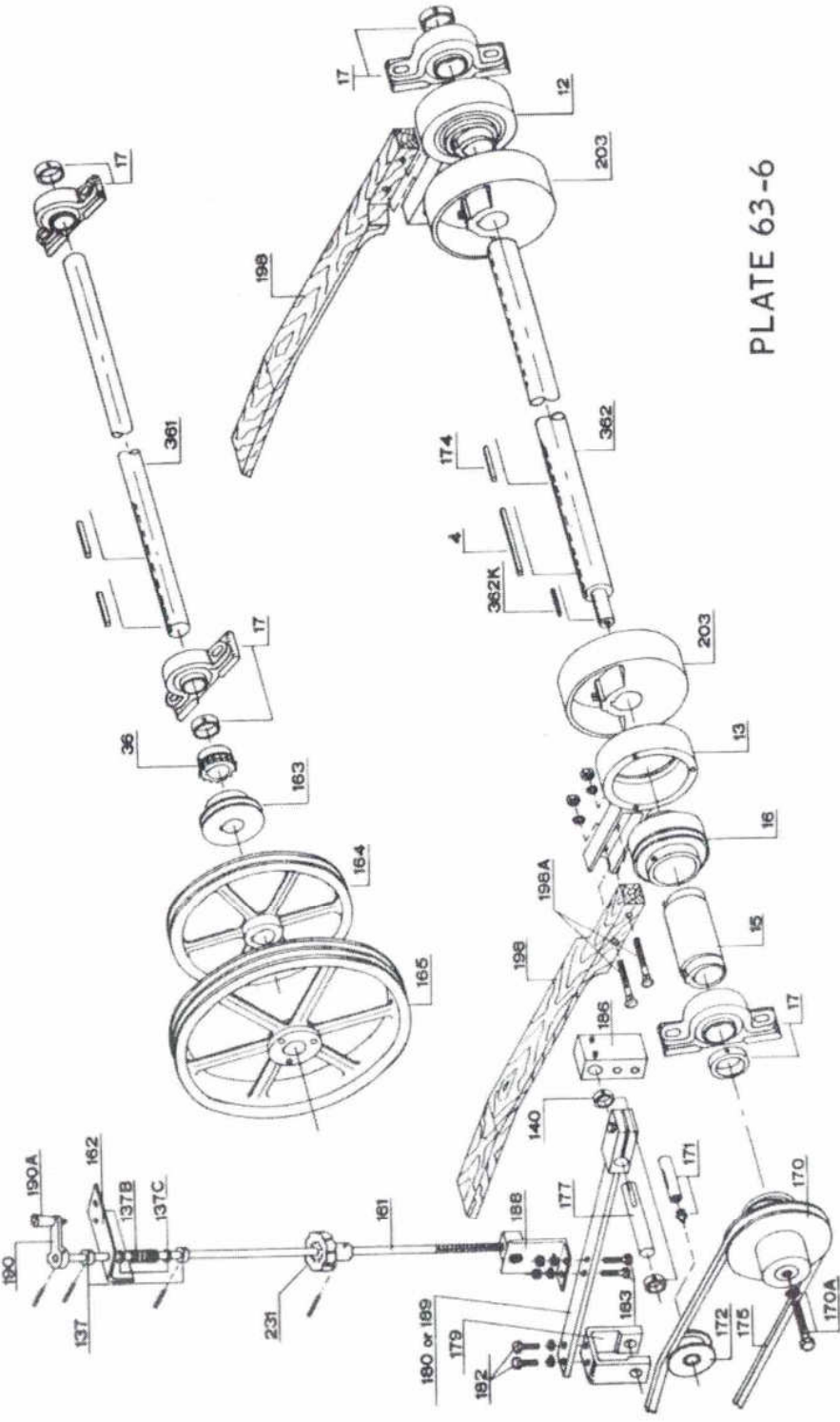


PLATE 63-6

ECCENTRIC AND COUNTERSHAFT ASSEMBLIES

Model Number and Machine Serial Number must be specified on all Parts Orders

CAT. NO.	ITEM
4	Eccentric KEY, 3/8" square x 4 $\frac{3}{4}$ " long
12	Eccentric BEARING ASSEMBLY, includes No. 13, 15 & 16
13	Eccentric HOUSING
15	Eccentric SLEEVE
16	Eccentric BEARING
17	Ball BEARING PILLOW BLOCK with collar, size <u>Must</u> be specified
36	Brush drive, driver SPROCKET, number of teeth and bore <u>Must</u> be specified
137	Control rod COLLAR, $\frac{1}{2}$ " bore (Set screw and pin included)
137B	Control rod SPRING
137C	Control rod spring RETAINER WASHER
140	COLLAR, 1" bore
161	Eccentric speed control ROD, length <u>Must</u> be specified
162	Eccentric speed control rod BRACKET
163	1 Groove V-sheave, outside dia. and bore <u>Must</u> be specified
164	1 Groove V-sheave, outside dia. and bore <u>Must</u> be specified
165	2 Groove V-sheave, outside dia. and bore <u>Must</u> be specified
170	Variable speed PULLEY, for changing eccentric speed
170A	Variable speed pulley RETAINER BOLT with lock washer
171	Variable speed idle pulley SHAFT, with grease fitting

CAT. NO. ITEM

- 172 Variable speed IDLE PULLEY
- 174 KEY 3/8" square 2" long
- 175 Eccentric drive BELT
- 177 Variable speed control arm STUD, 1" dia., length Must be specified
- 179 Variable speed idle pulley BRACKET
- 180 Variable speed CONTROL ARM, 12" O. A. length
- 182 Variable speed idle pulley bracket BOLT, with lock washers
- 183 BOLT for variable speed control arm swivel nut bracket, with lock washer & nut
- 186 STUD BLOCK with bolts and set screws
- 188 Variable speed control arm BRACKET with swivel nut
- 189 Variable speed CONTROL ARM, 17½" O. A. length
- 190 Control rod HAND CRANK, ½" bore (Set screw and pin included)
- 190A Hand crank wood KNOB
- 198 Eccentric ARM, specify if for RIGHT HAND or LEFT HAND side, when standing at the front of the machine where the screens are changed.
If machine has more than one shoe, specify to which shoe the arm attaches

Example: R.H. arm for lowest shoe; or center arm for middle shoe; or
L.H. for highest shoe.

- 198A Eccentric arm BOLTS
- 203 COUNTERWEIGHT G-84 casting, 8" dia. x 2" face. SPECIFY BORE.
- 231 HAND KNOB ½" bore (Pin included)
- 361 COUNTERSHAFT, with keys, dia. and length Must be specified
- 362 ECCENTRIC SHAFT, with keys
- 362K KEY for variable speed pulley on eccentric shaft

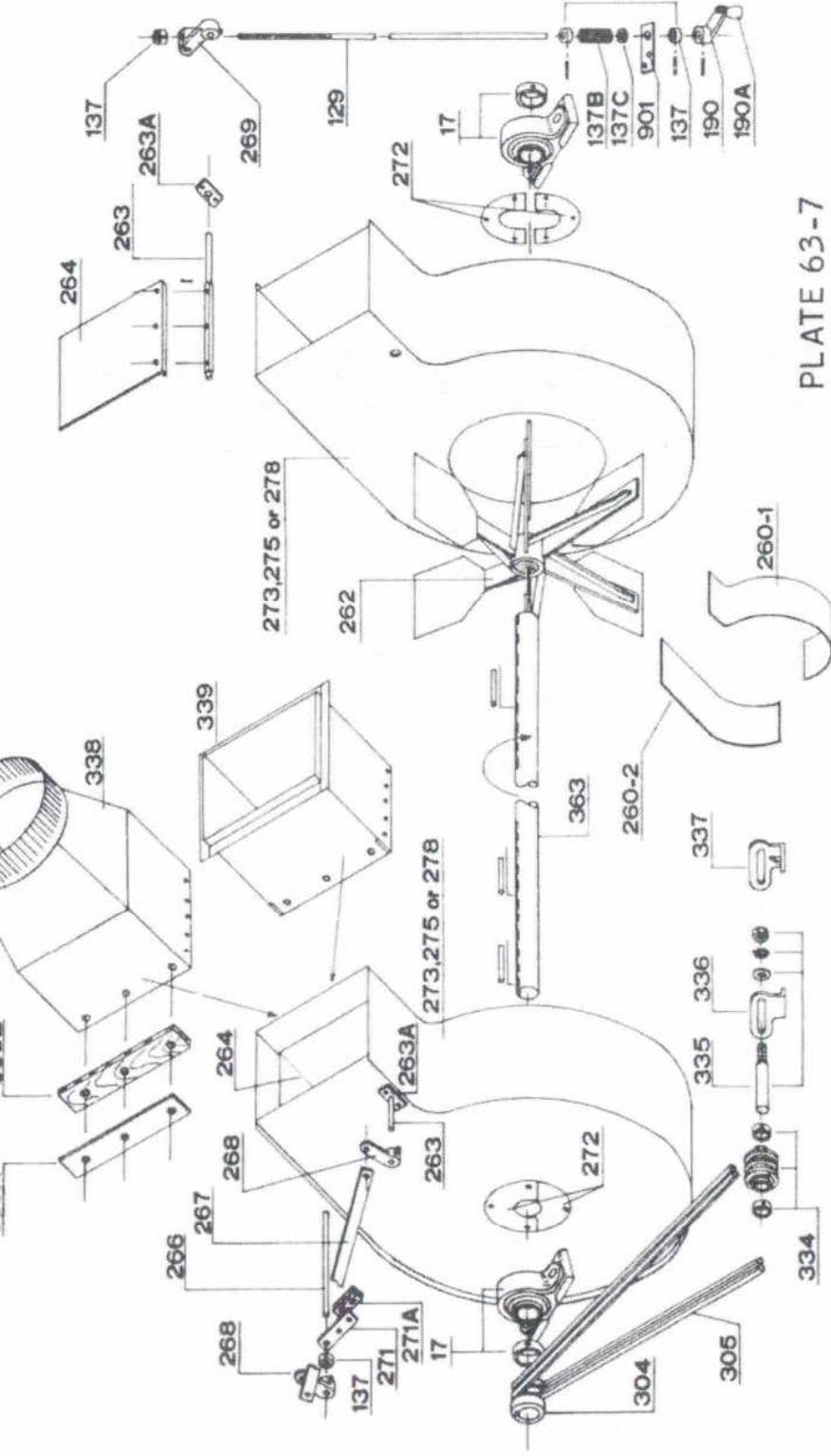


PLATE 63-7

FAN ASSEMBLY

Model Number and Machine Serial Number must be specified on all Parts Orders

CAT. NO.	ITEM
17	BALL BEARING pillow block with collar, size <u>Must</u> be specified
129	Fan damper CONTROL ROD, $\frac{1}{2}$ " dia., length <u>Must</u> be specified
137	Control rod COLLAR, $\frac{1}{2}$ " bore (Set screw and pin included)
137B	Control rod SPRING
137C	Control rod spring RETAINER WASHER
190	Control rod HAND CRANK, $\frac{1}{2}$ " bore (Set screw and pin included)
190A	Hand crank wood KNOB

FAN COVER INFORMATION: When ordering the following types of fan housing covers, the width and length of each section Must be specified

260-1 Steel fan COVER, full width, with end cleat

260-1-S Steel LINING, to be bolted inside of original fan cover (Bolts included)

260-1-R Special abrasive resistant rubber bonded to steel backing, to be bolted inside of original fan cover (Bolts included)

260-2 Steel fan COVER, full width, with end cleat

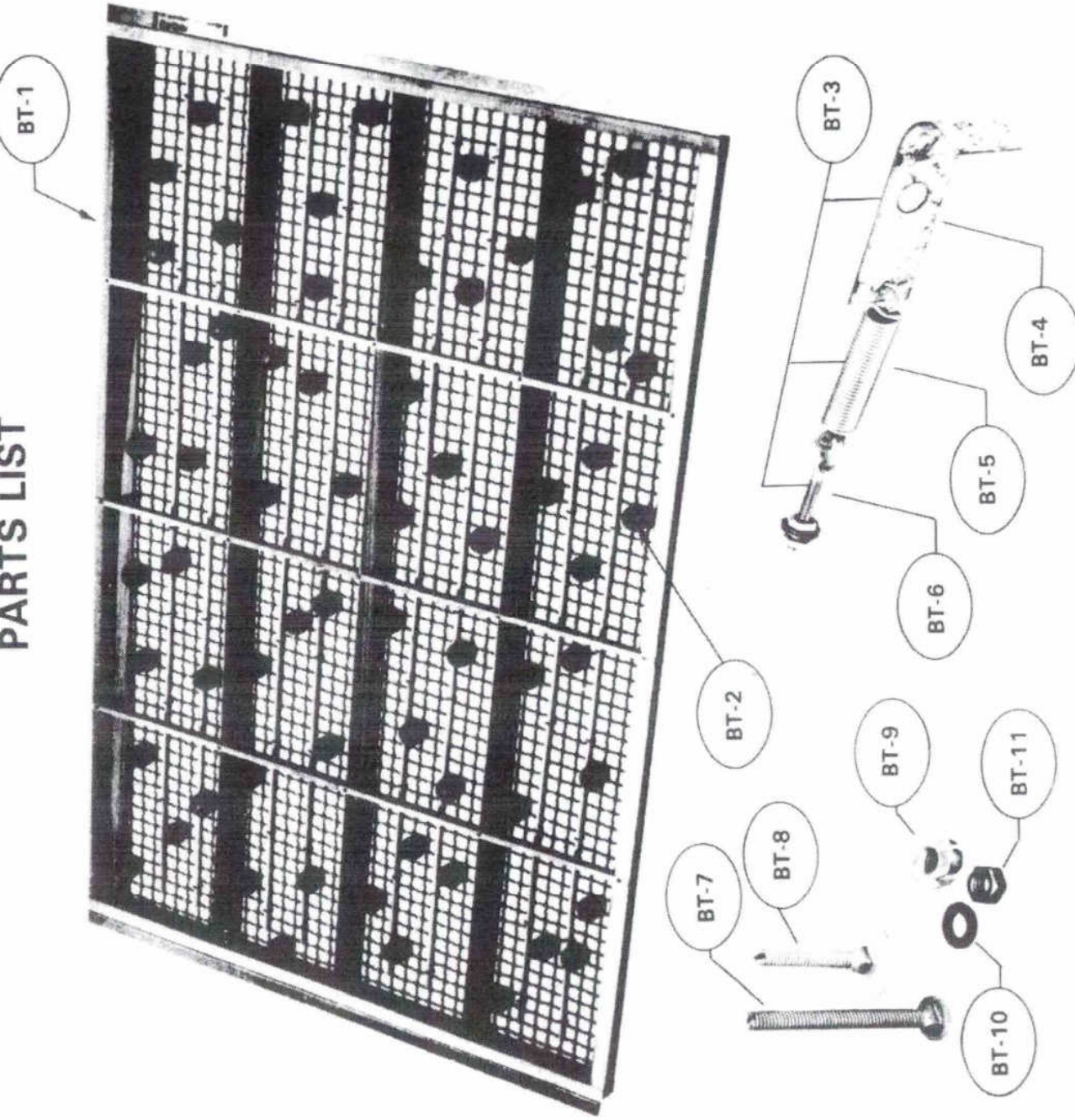
260-2-S Steel LINING, to be bolted inside of original fan cover (Bolts included)

260-2-R Special abrasive resistant rubber bonded to steel backing, to be bolted inside of original fan cover (Bolts included)

Model Number and Machine Serial Number must be specified on all Parts Orders

CAT NO.	ITEM
262	FAN WHEEL, dia. of hole in hub and width of blade <u>Must be specified</u>
263	Fan damper SHAFT. Cotter pin included. Specify <u>width</u> of damper
263A	Fan damper shaft END PAD. Screws included
264	FAN DAMPER, width <u>Must be specified</u>
266	HORIZONTAL ROD connecting fan damper control to opposite side of machine, length <u>Must be specified</u>
267	Fan damper control <u>CONNECTING LINK</u> , over-all length must be specified (Bolts included)
268	Fan damper control connecting link LEVER with set screw, casting No. F-669
269	LEVER with swivel nut attached, set screw included. Casting No. F-669
271	Horizontal rod BRACKET. Bolts included
271A	Horizontal rod bracket WOOD BLOCK
272	Outside HOLE COVER for fan housing (Screws included)
273	FAN HOUSING INFORMATION: When ordering a complete fan housing the part number and rotation must be specified. When standing beside the machine and facing the bearing next to the fan housing, specify if fan shaft rotation is clockwise or counter-clock wise
275	FAN HOUSING 8" width
278	FAN HOUSING 10" width
	FAN HOUSING 12" width
304	Counter shaft driver SHEAVE
305	V-BELT to countershaft
334	V-belt ball bearing IDLER PULLEY
335	Ball bearing idler SHAFT with flat washer, lock washer and nut
336	IDLER BRACKET, left hand, casting No. G-94-L
337	IDLER BRACKET, right hand, casting No. G-94-R
338	FAN OUTLET ADAPTER for use with round pipe, specify width of fan housing and if round pipe is 12" or 14" dia.
338A	Steel SIDE PLATE for fan outlet
338B	WOOD CLEAT for fan outlet
339	FAN OUTLET EXTENSION, specify width of housing
363	FAN SHAFT, dia. and length <u>Must be specified</u>
901	Fan damper control rod BRACKET

PARTS LIST



Part No.	NAME	Part No.	NAME
BT-1	Ball Tray Assembly complete; rubber balls not included. Machine Model No. and serial number must be specified. Also must specify whether ball tray is for No. 1 top screen, No. 2 screen, etc., and whether it is for the front or rear section of any 2-pc. screen; or front, middle, or rear section of any 3-pc. screen. Refer to the number marked on your present frame, for example "2F", or "4R", etc.	BT-3	Spring latch assembly complete; includes latch grip, eye-bolt, and spring.
BT-2	Rubber ball, 1-3/8" dia., specify color and quantity.	BT-4	Latch grip
		BT-5	Spring
		BT-6	Eye-bolt
		BT-7	Adjuster bolt, 5/16" dia., w/small head, slotted end.
		BT-8	Adjuster bolt, 5/16" dia., w/large head, slotted end.
		BT-9	"T" nut anchor, 5/16" threads.
		BT-10	Flat washer, 5/16".
		BT-11	Jam nut, 5/16" threads.

BALL TRAY PLATE
CRIPPEN MFG. CO.
ALMA, MICHIGAN
PRINTED IN U.S.A.